

EXPLODED PARTS VIEW

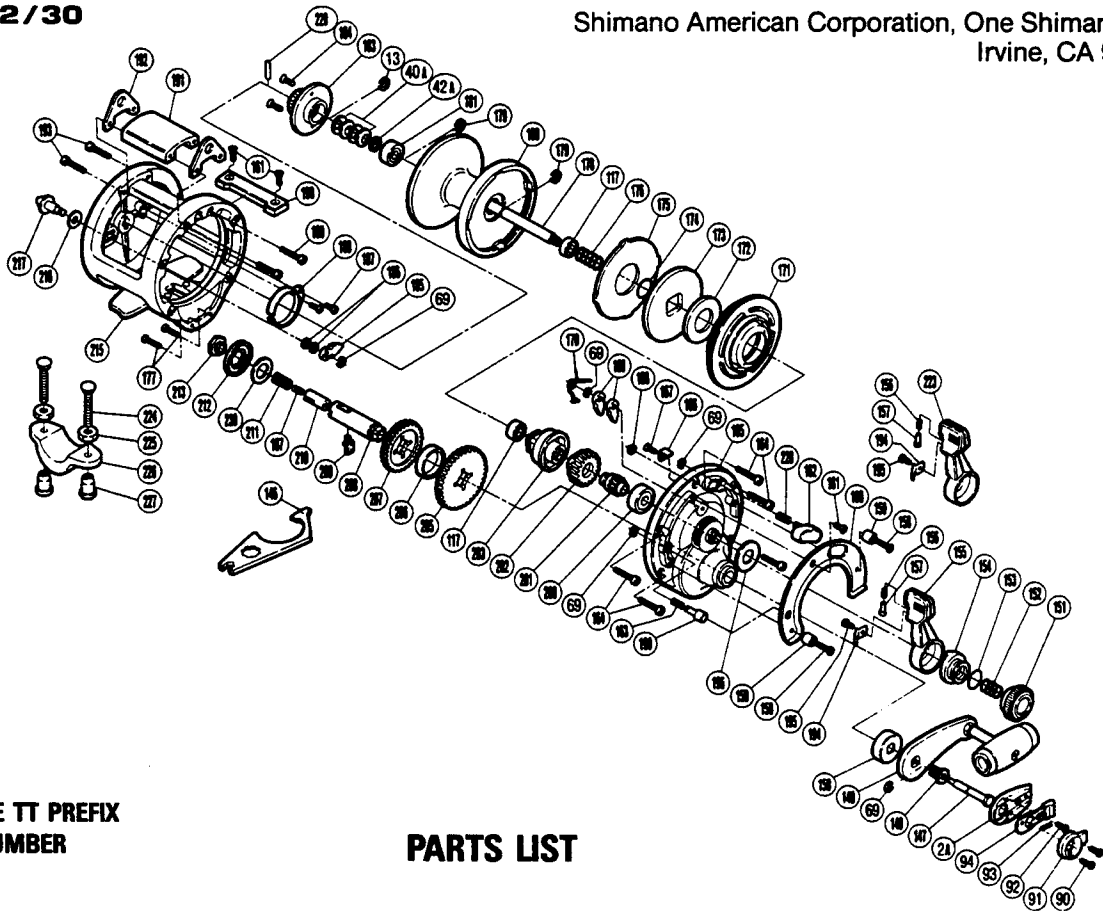
TRITON® *BeastMaster™*

**GRAPHITE-2 SPEED
12/30**

SHIMANO

1990 REPAIR MANUAL

Shimano American Corporation, One Shimano Dr.
Irvine, CA 92718



**TO ORDER: USE TT PREFIX
WITH PART NUMBER**

PARTS LIST

TT #	DESCRIPTION	TT #	DESCRIPTION	TT #	DESCRIPTION
0002A	Handle Bolt Plate	0164	Side Plate Screw (A)	0194	Lever Click Spring
0013	"C" Lock	0165	Side Plate	0195	Click Spring Screw
0040A	Pre Load Spring	0166	Guard Against Dog	0196	Lever Thrust Washer
0042A	Bearing Thrust Washer	0167	Guard Screw	0199	Free Spool Detent
0069	Alert Plunger Retainer	0168	Dog Spring Retainer	0200	Ball Bearing
0090	Push Button Shield Screw	0169	Dog	0201	Pinion Gear (A)
0091	Push Button Shield	0170	Dog Spring	0202	Pinion Gear (B)
0092	Handle Bolt Plate Screw	0171	Cooling Shield	0203	Pinion Guard
0093	Slide Plate Spring	0172	Pre-Load Spring (A)	0205	Drive Gear (A)
0094	Slide Plate	0173	Drag Plate	0206	Friction Washer (C)
0107	Drive Shaft Spring "B"	0174	Seal Lock	0207	Drive Gear (B)
0117	Ball Bearing	0175	Drag Washer	0208	Drive Shaft
0147	Push "Low" Button Shaft	0176	Pressure Release Spring	0209	Gear Select Cross Bar
0148	Handle Bolt	0177	Side Plate Screw (B)	0210	Cross Bar Stop
0149	Handle Assembly	0178	Main Shaft	0211	Drive Shaft Spring
0150	Drive Shaft Shield	0179	"C" Lock	0212	Friction Washer (A)
0151	Pre-Program Dial	0180	Spool	0213	Drive Shaft Screw
0152	Dial Spring	0181	Ball Bearing	0215	One Piece Frame
0153	Body "O" Seal	0183	Click Gear	0216	Click Button Washer
0154	Lever Shaft Body	0184	Click Gear Screw	0217	Click Button
0155	Drag Control Lever (#30)	0185	Click Pawl	0228	Pressure Spring (C)
0156	Friction Shoe Spring	0186	Click Pawl Washer	0229	Cross Pin
0157	Friction Shoe	0187	Click Spring Screw	0230	Friction Washer (D)
0158	Quadrant Anchor Bolt	0188	Click Spring	0146	Wrench
0159	Bolt Shield	0189	Cross Bar Bolt (A)	0223	Drag Control Lever (#50)
0160	Lever Quadrant	0190	Line Guard	0224	Rod Clamp Bolt
0161	Quadrant/Line Guard Screw	0191	Cross Bar	0225	Rod Clamp Nut (B)
0162	Strike Stop	0192	Harness Lug	0226	Rod Clamp
0163	Pressure Spring	0193	Cross Bar Bolt (B)	0227	Rod Clamp Nut (A)